



WASI

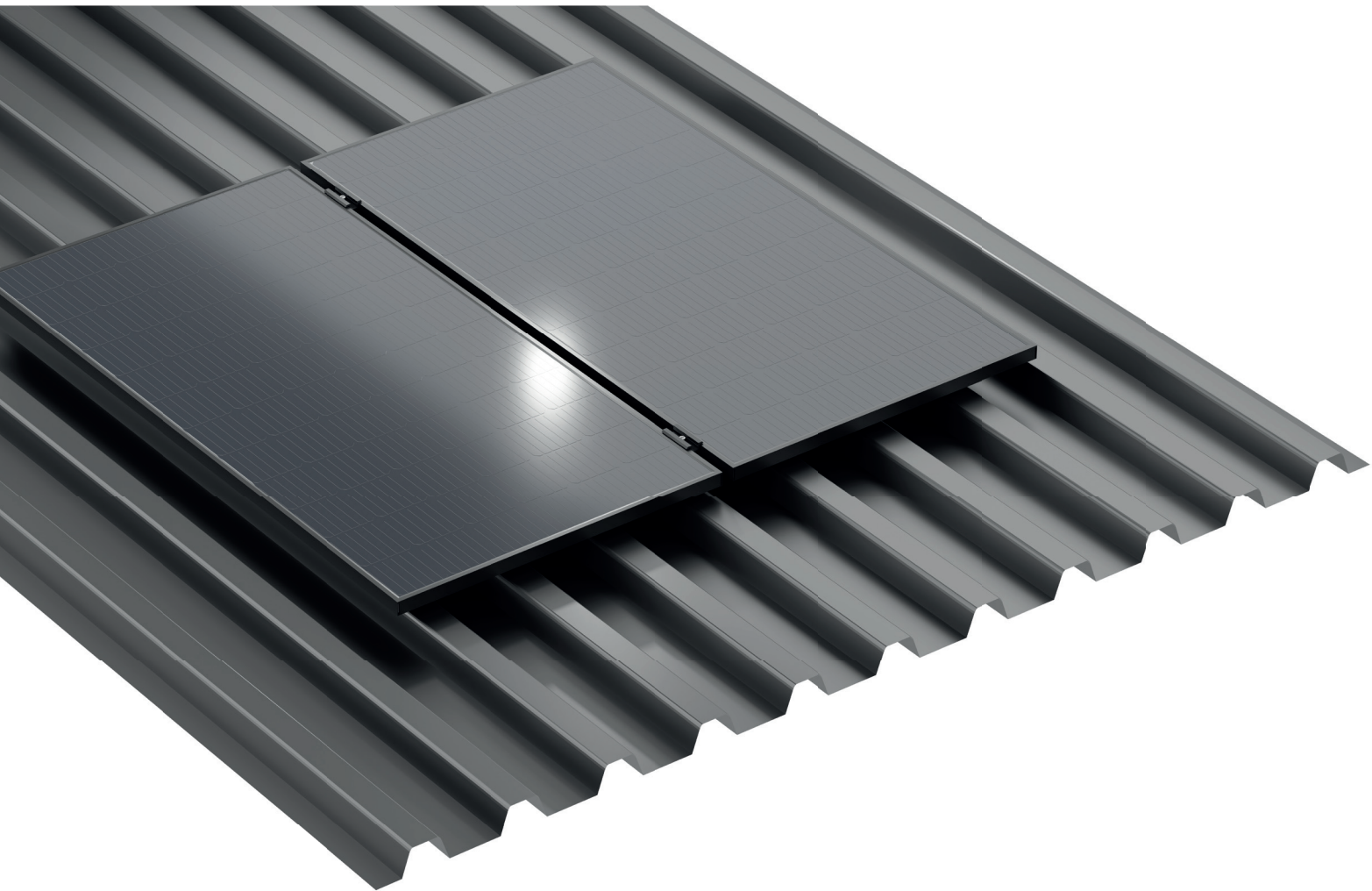
ASSEMBLY INSTRUCTIONS

Trapezoidal sheet metal roof

**VERBINDUNGEN, DIE HALTEN.
CONNECTIONS MADE OF STEEL.**

ASSEMBLY INSTRUCTIONS TRAPEZOIDAL SHEET METAL ROOF

General information



Simplest installation and durability

Two things are crucial for us in the design and development of WASI SOLAR mounting systems: the simplest installation and durability that guarantees safety.

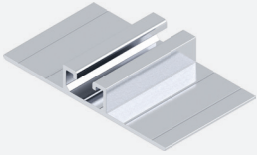
This is the basis of the WASI solar programme. Since individual peculiarities have to be taken into account for every roof, we ask you to obtain an expert opinion in advance of the installation in every case.

In particular, the static requirements must be taken into account. When installing the system, please ensure compliance with the relevant standards and accident prevention regulations.

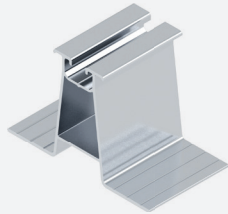
ASSEMBLY INSTRUCTIONS TRAPEZOIDAL SHEET METAL ROOF

Article list

9664-AL-90x6200



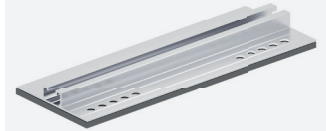
9664-AL-90x60x6200



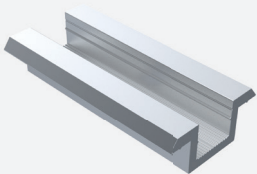
9664-AL-90x60E+B



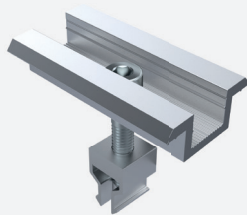
9664-AL-90x400E+B



9745-WASI13



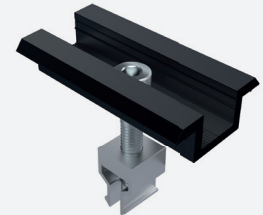
9745-WASICLIPM-(1>>5)



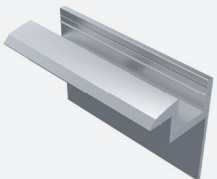
9745-WASI13-SE



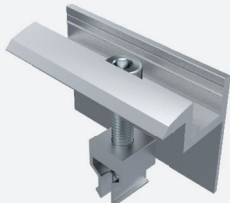
9745-WASICLIP-SE



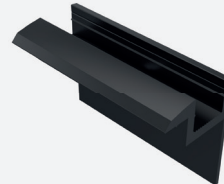
9742-WASI4-(30>>50)



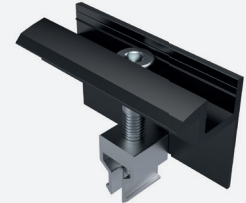
9742-WASICLIPE-(30>>50)



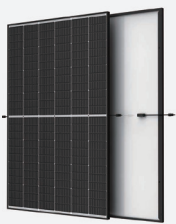
9742-WASICLIPESE-(30>>50)



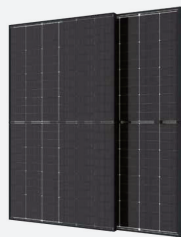
9742-WASICLIPESE-(30>>50)



Vertexs+ NEG9R.28 425 WP - 445 WP



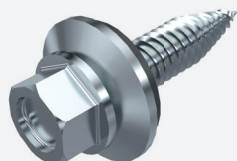
Vertexs+ NEG9RC27 415 WP - 440 WP



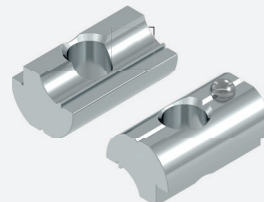
9664-WASI31-90x3-50



9191-2-6,0x25R



9431-120901-100

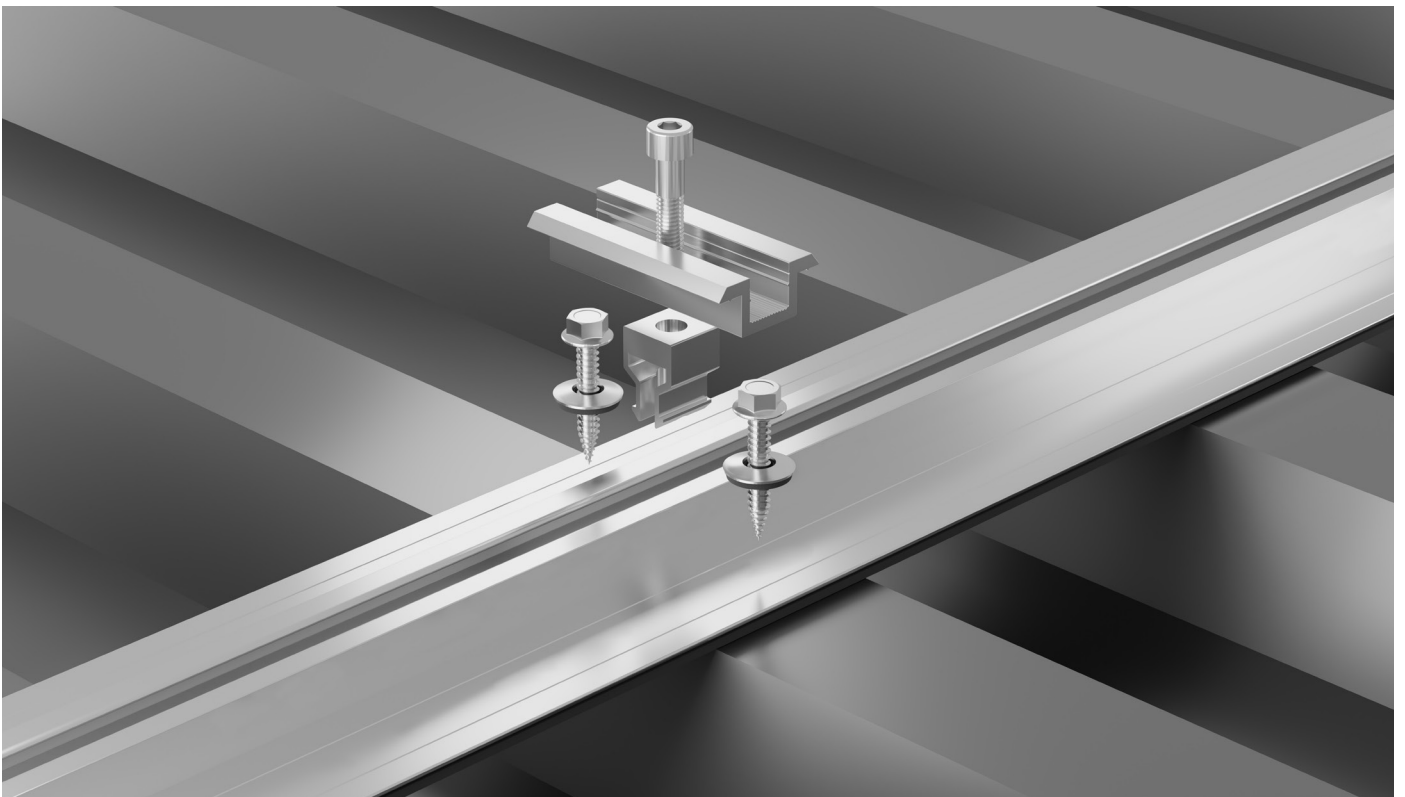
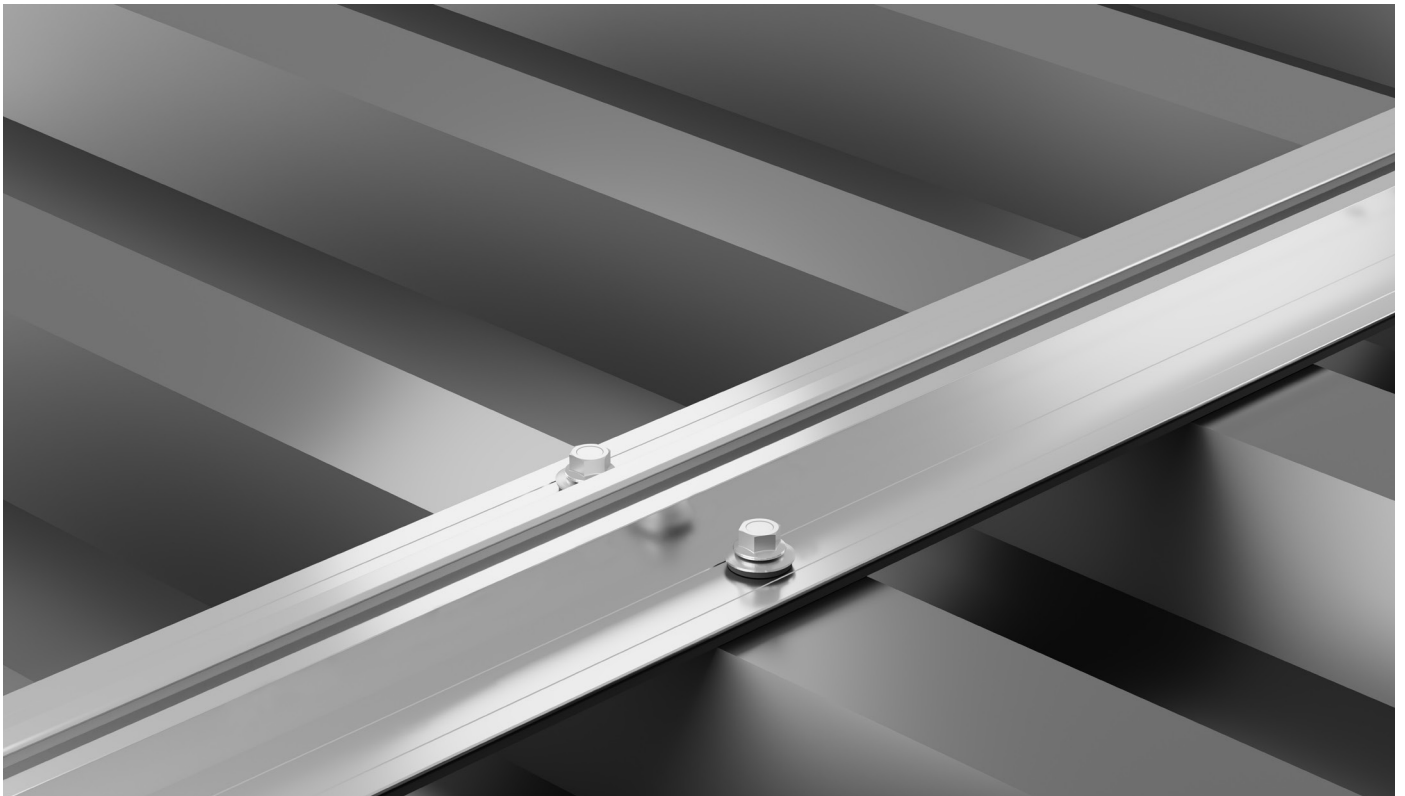


Reorder at the online shop



ASSEMBLY INSTRUCTIONS TRAPEZOIDAL SHEET METAL ROOF

Flat roof (trapezoidal sheet) with the products WASI31 and 9191R



ASSEMBLY INSTRUCTIONS TRAPEZOIDAL SHEET METAL ROOF

Preparations

1

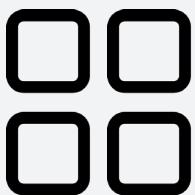
1. Planning and approvals

Make sure you have obtained all necessary permits and building code requirements to install a solar system on your roof.

2

2. Roof inspection

Carry out a thorough inspection of the roof to ensure that it is in good condition and does not need any repairs or maintenance.

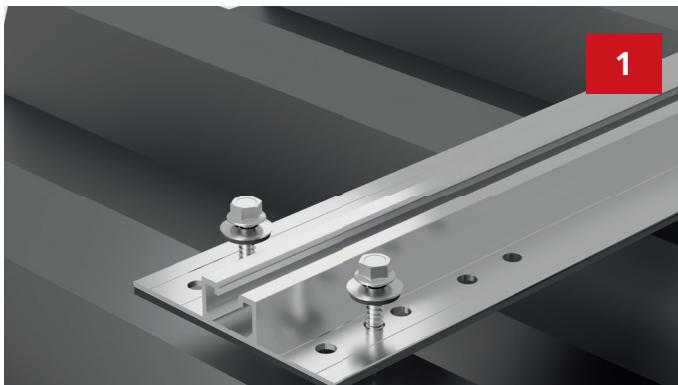
3

3. Layout and positioning

Plan the positioning of the solar modules on the roof in advance to ensure maximum solar radiation. Mark the positions of the mounting rail on the roof.

ASSEMBLY INSTRUCTIONS TRAPEZOIDAL SHEET METAL ROOF

Mounting the system on the roof

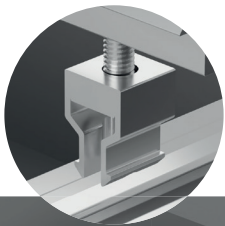


Attach solar rails

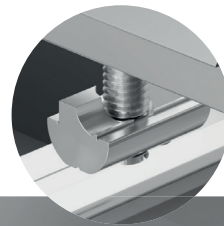
2 thin sheet metal screws per high bead (4 pcs. per trapezoidal sheet metal rail). The mounting rails are already pre-drilled. By static calculation, several self-drilling screws can also be used.

Module mounting with clip - you can choose between clip and slot nut

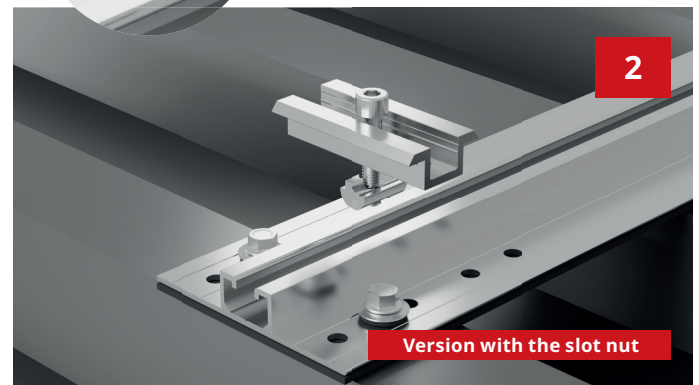
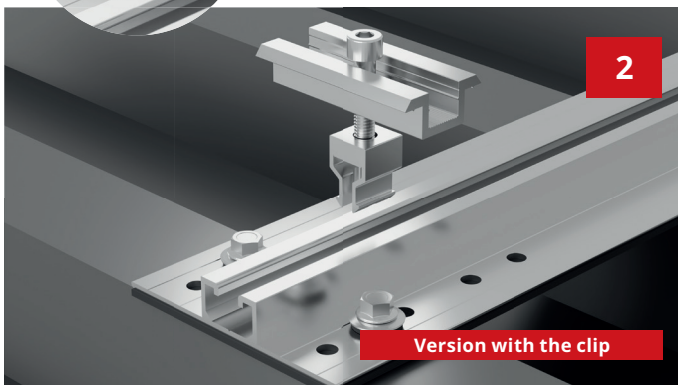
Attach the solar modules to the solar rails using the end and middle clamps. Make sure that the modules are securely fastened and have no looseness.



with Clip



with Slot nut

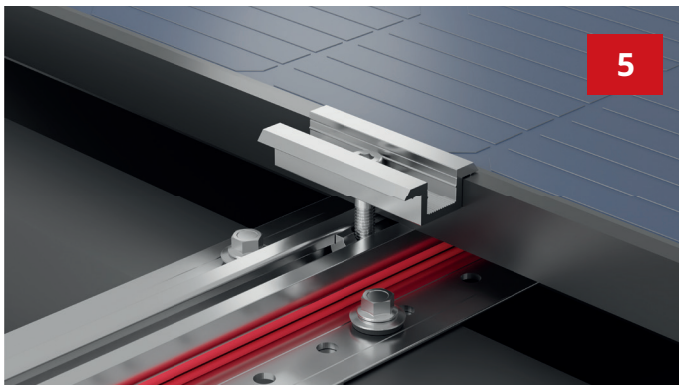


End clamp at the end of the rail

Always fit an end clamp at the end of the rail. Also with clip or with slot nut.

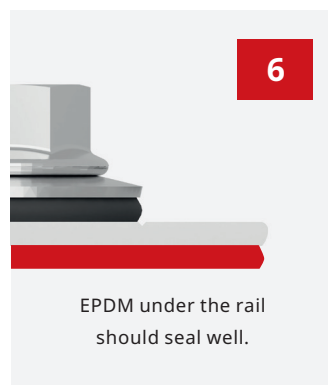
ASSEMBLY INSTRUCTIONS TRAPEZOIDAL SHEET METAL ROOF

Mounting the system on the roof



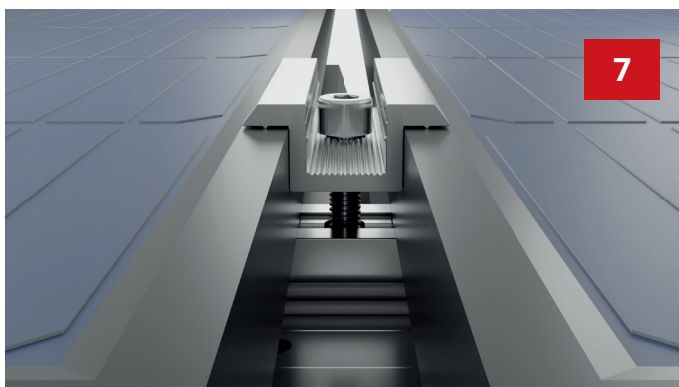
Electrical wiring

Connect the modules together and route the cables (shown here in red) securely along the rails under the modules. Then run the cable through the roof into the interior to the inverter or electrical wiring.



Leak test

Seal all penetrations and connections carefully to ensure that the roof remains watertight. (Red is for illustration only)



Final works

Check the entire installation for stability and correctness. Document the installation and electrical connections for future reference.



Inspection & Commissioning

Have the installation checked by a professional to ensure that it complies with safety standards and regulations. Connect the solar system properly to the electricity grid after it has been approved.

ASSEMBLY INSTRUCTIONS

Your contact persons



Sabine Ley

Scan & Write

sabine.ley@wasi.de

+49 (0) 202 26 32 - 163

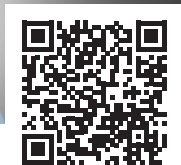


Daniela Hinkel-Ebeling

Scan & Write

daniela.hinkel-ebeling@wasi.de

+49 (0) 202 26 32 - 136

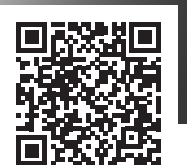


Silvia Aguilera

Scan & Write

silvia.aguilera@wasi.de

+49 (0) 202 26 32 - 233

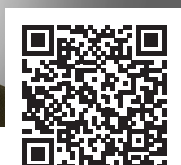


Elia Boccadifuoco

Scan & Write

elia.boccadifuoco@wasi.de

+49 (0) 202 26 32 - 178



Marco Stegmaier

Scan & Write

marco.stegmaier@wasi.de

+49 (0) 202 26 32 - 268

ASSEMBLY INSTRUCTIONS TRAPEZOIDAL SHEET METAL ROOF

Important notes

Important standards and regulations:

BGV A2 Electrical installations and equipment

BGV C22 Construction work

BGV D35 Ladders and steps

BGV A1 Accident prevention regulation

DIN 1052-2 Timber structures: Mechanical connections

DIN 1055 Load acceptance for structures

DIN 18299 General regulation for construction work of any kind

DIN 18451 Scaffolding

The WASI logo consists of the word "WASI" in a bold, white, sans-serif font, centered between two horizontal white bars. The background of the entire image is a photograph of a modern industrial building with a red and grey facade, featuring large windows and a prominent "WASI" sign on the upper right section. The sky is a clear, light blue.

WASI GmbH
WASI-Straße 1
D-42287 Wuppertal

T +49 (0)202 / 26 32-0
F +49 (0)202 / 26 32-407
solar@wasi.de
www.wasi.de